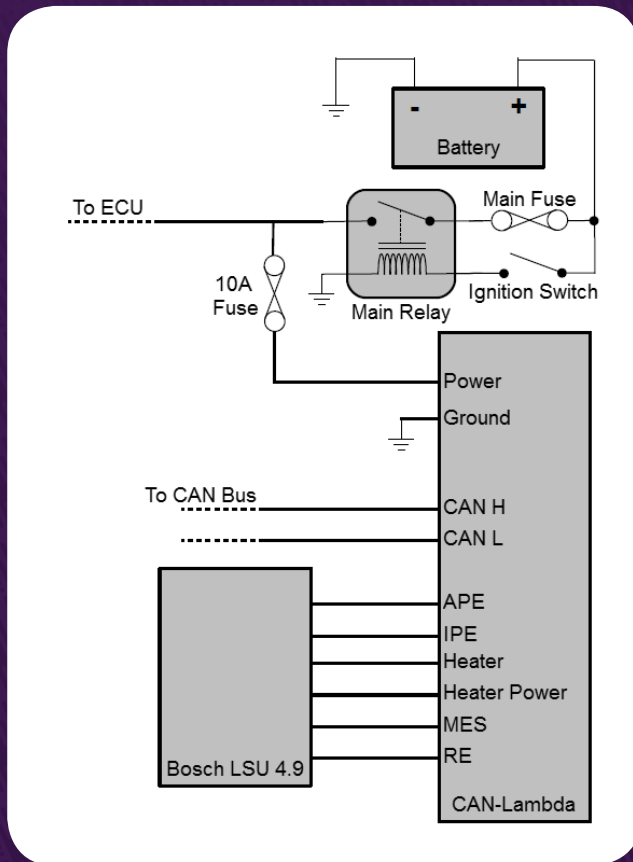




CAN-LAMBDA Quick Start Guide

WIRING DIAGRAM



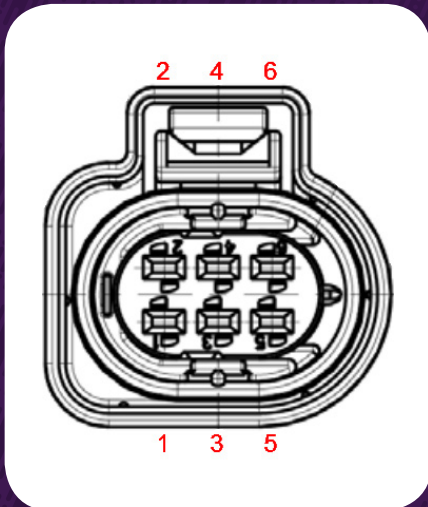
This CAN-Lambda controller is preconfigured to a bit rate of 1Mbit/s, the default CAN ID is 950. Other supported bit rates are: 125 kbit/s, 250 kbit/s and 500 kbit/s. See G4+ ECU Tuning Functions > CAN > Controller Specific CAN Information in the help file for details on configuring your Link ECU to receive one or more CAN-Lambda controllers.

CONNECTOR INFORMATION

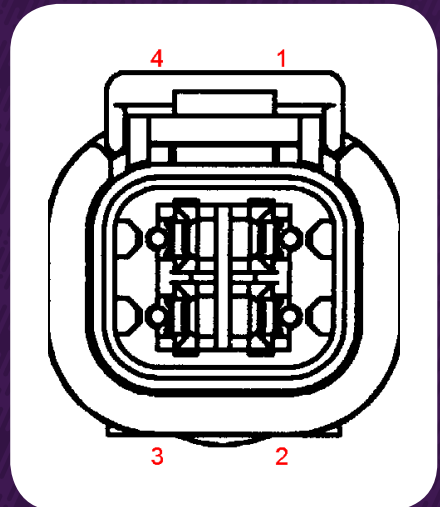
Deutsch 4-Way	
Power and Communications Connector	
Pin	Description
1	Power
2	GND
3	CAN L
4	CAN H

Bosch LSU 4.9 Sensor	
Pin	Description
1	APE
2	IPE
3	Heater
4	Heater Power
5	MES
6	RE

Bosch LSU4.9 Sensor Diagram



Deutsch 4-Way Connector Diagram



Looking into the connectors attached to the controller